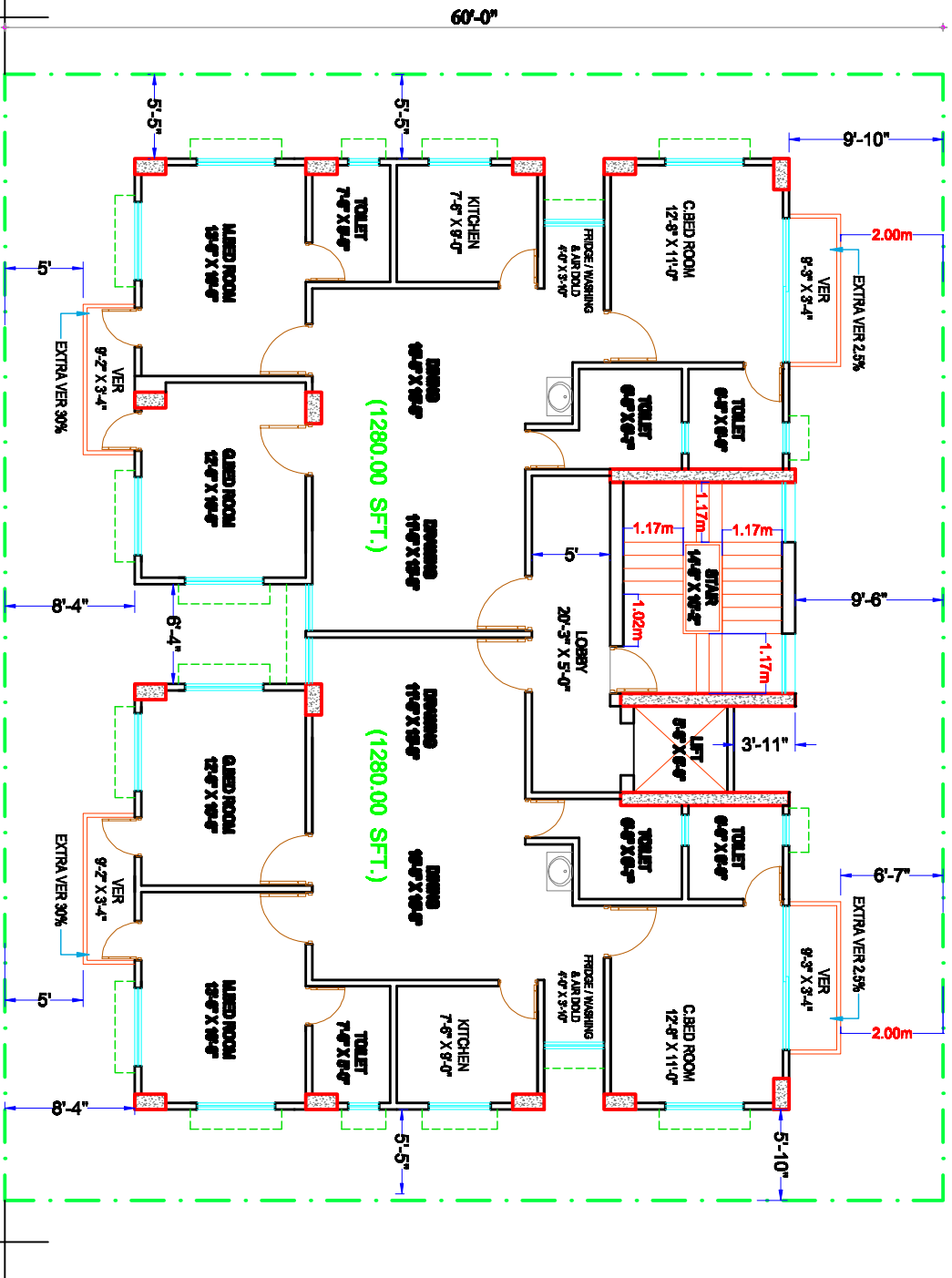


WORKING DESIGN (2560.00 SFT.)

72'-0"

G+7

OPTION-01



EXISTING 38'-0" WIDE ROAD



1ST TO 7TH FLOOR PLAN (DOUBLE UNIT)

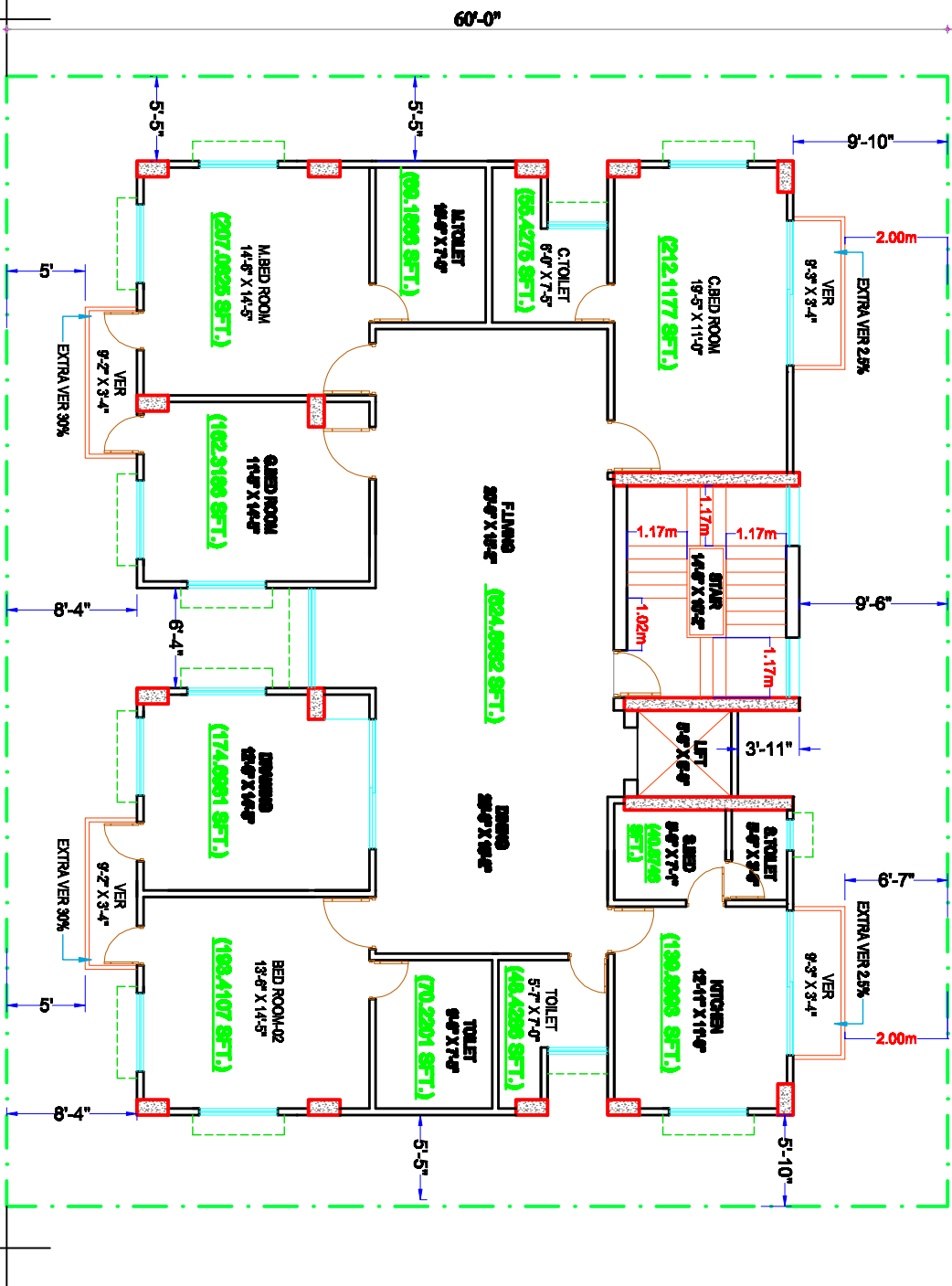
SCALE = 1:100

WORKING DESIGN (2560.00 SFT.)

72'-0"

G+7

OPTION-01



EXISTING 30'-0" WIDE ROAD



1ST TO 7TH FLOOR PLAN (SINGLE UNIT)

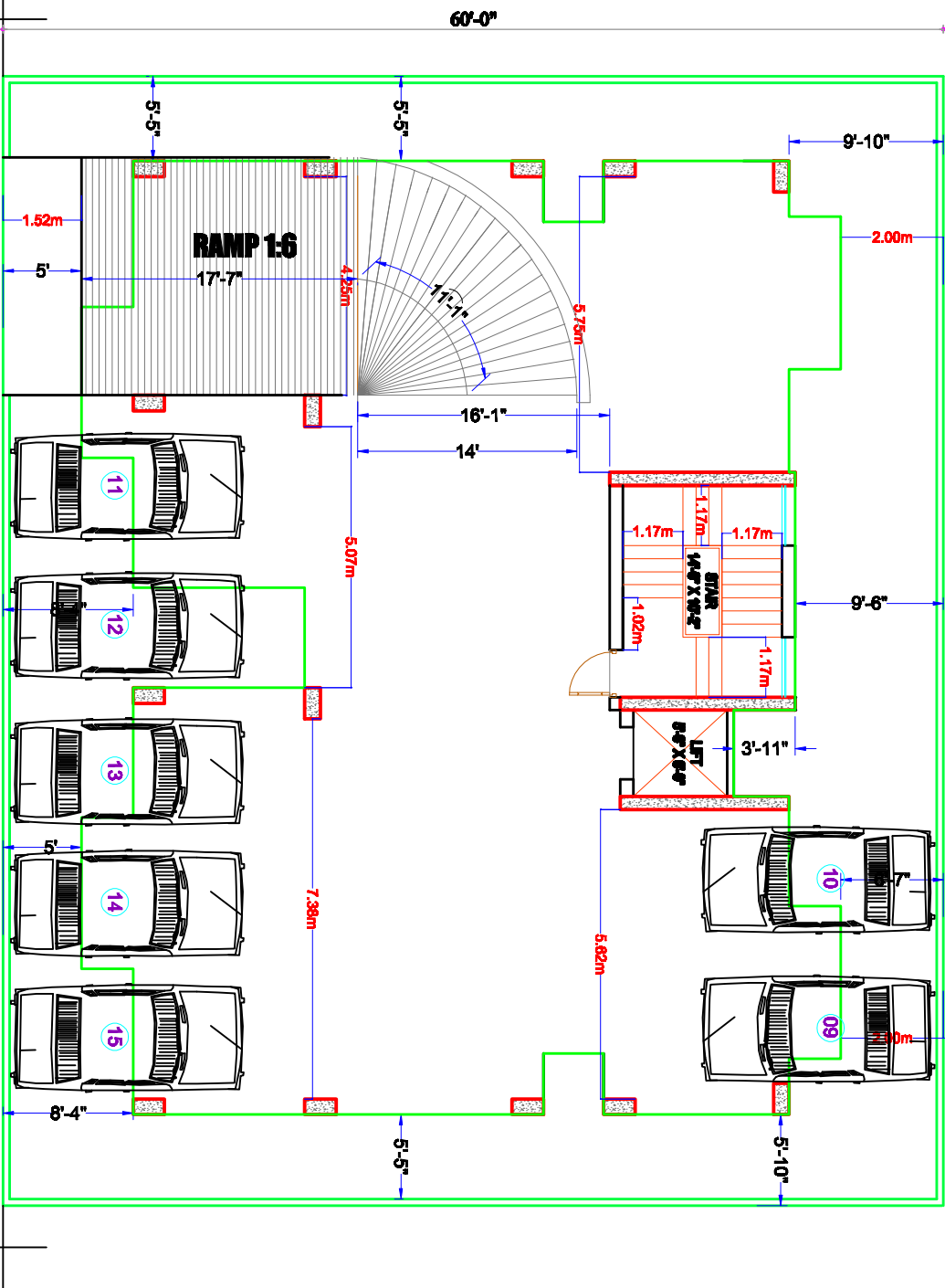
SCALE = 1:100

WORKING DESIGN

G+7

OPTION-01

72'-0"



EXISTING 38'-0" WIDE ROAD



SEMI-BASEMENT FLOOR PLAN

SCALE = 1:100